

TECHNICAL TIPS

CONFIGURATION OF ANTIPASSBACK OF IKIOSK 100 AND M2R2

Configuration of Wiegand input and Output of Host and Client

The host must connect with Wiegand 26-bits input. It “receives” user ID from the client. The client must connect with Wiegand 26-bits output. It “sends” user ID to the host.

Therefore in iKiosk 100,

- 1 – press Menu
- 2 – select Comm.
- 3 – select Wiegand
- 4 - Do the settings as below

		Host (Wiegand Input)	Client (Wiegand output)
Input	Define	Wiegand26	Ignore
	Bit counts	26	
	Pulse width	100 us (default)	
	Pulse inter	1000 us (default)	
	Input	ID NO.	
Output	Format	Ignore	Wiegand 26 with site code
	Failed ID		OFF
	Site Code		OFF
	Pulse Width		100 us (default)
	Pulse Inter		1000 us (default)
	Output		ID NO.

5 – Restart the terminal.

(Ignore the above steps if you are using M2R2 as antipassback. You will only user same models to carry out antipassback features, example iKiosk 100 with iKiosk 100, M2R2 with M2R2)

Now you will need to activate the antipassback function in both terminals, do these steps.

- 1 – press Menu
- 2 – select User Mng
- 3 – select Access
- 4 – select Antipassback settings.
- 5 – do these settings.

	Host	Client
APB Dire.	APB-Out/In	APB-Out/In
Local	Control In	Control Out

The connection to door lock system

Only host is connected to door lock system. Host is controlling the door lock mechanism, but not the client. When user is verified at host terminal, host will communicate with AdapTec AC to open or close the door. If user is verified at the client terminal, client must send user ID to the host, to make sure user is not blocked by “antipassback”. If user is blocked by “antipassback”, host will not allow AdapTec AC to open door.

Therefore you will only connect power from AdapTec AC to the client terminal. No other connection of door lock from client to the AdapTec AC.

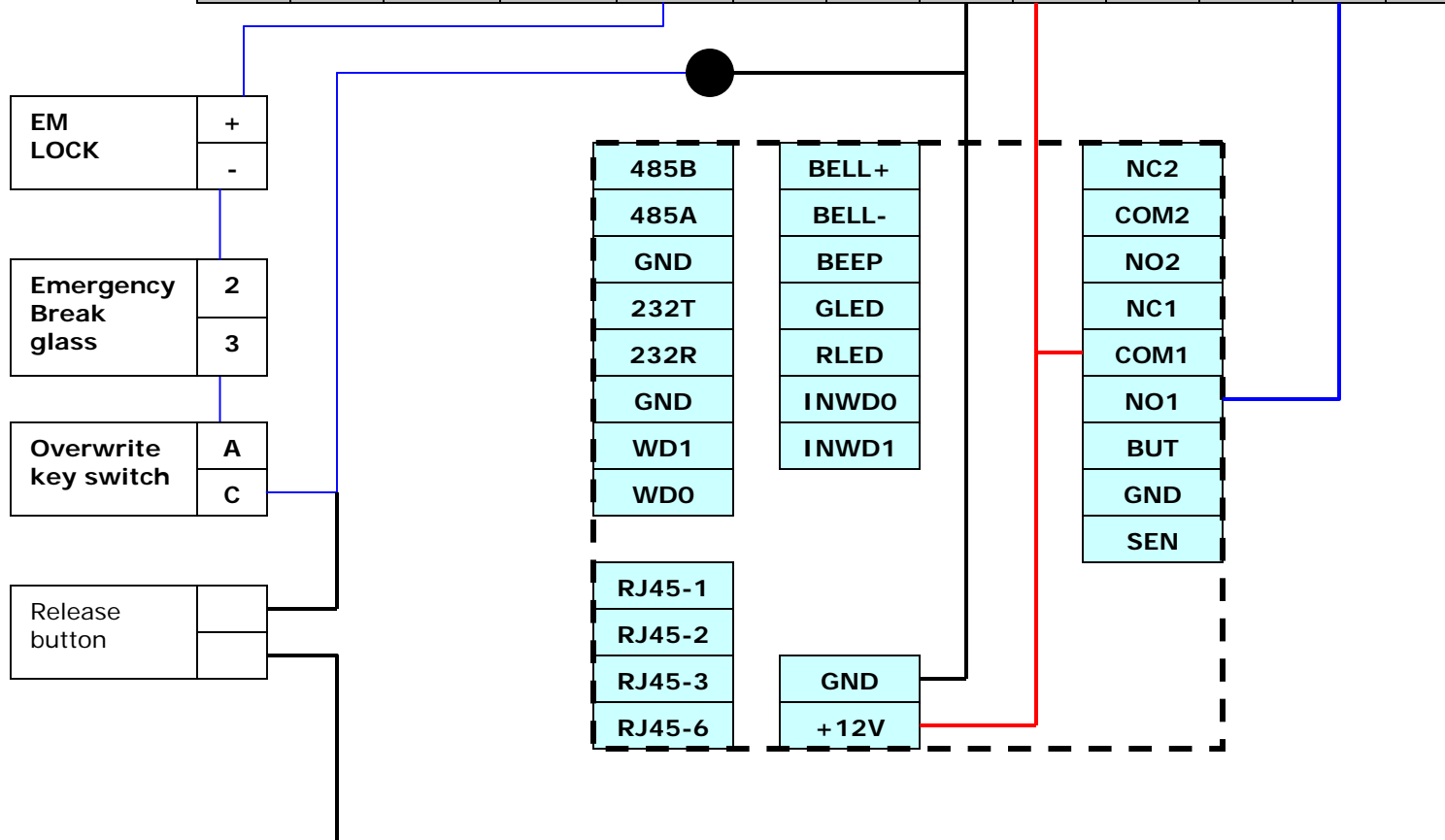
Now connect the host to AdapTec AC,

TECHNICAL TIPS

CONFIGURATION OF ANTIPASSBACK OF IKIOSK 100 AND M2R2

Connection of AdapTec AC with iKiosk 100(host)

Siren Accept		Relay	12V OK	EM 12V	Siren Output Max 0.6A		Output Voltage		Tamper switch Input		EXT IP	Door Exit	To Battery	
0	0				0	0	0	12V	C	NC	12V	0	-	+



TECHNICAL TIPS

CONFIGURATION OF ANTIPASSBACK OF IKIOSK 100 AND M2R2

Connection among host and client by using Wiegand

